

## Levelling elements for ground mounting

### Technopolymer base, steel stem

#### BASE

Glass-fibre reinforced polyamide based (PA) technopolymer, black colour, matte finish.

#### ARTICULATED STEM

Threaded zinc-plated steel with regulation hexagon.

#### STANDARD EXECUTIONS

- LV.F: without no-slip disk.
- LV.F-AS: with NBR rubber no-slip disk, hardness 70 Shore A, supplied assembled to the base.

#### GROUND MOUNTING

By means of two holes at 180°, supplied covered by a diaphragm (which can be easily removed by a metal tool), to avoid all unhealthy deposits of dirt and dust when the ground mounting is not required (see Fig. 1).

#### FEATURES

The special knurling under the lower lip of the base provides excellent stability and grip when using the levelling element without no-slip disk even on surfaces that are not perfectly flat.

The particular assembling system of the no-slip disk to the base assures a perfect anchoring, preventing separation even in case of impact during transport or of adhesion (sticking) to the floor (see No-slip disk on page 1223).

#### ORDER INFORMATION

The levelling elements are supplied unassembled to make carriage and storage easier. The components (base and stem) are supplied in separate packing; less volume taken and better protection from scratches and dirt.

To order bases and stems separately, see: table of the possible combinations Bases/Stems on page 1229.

#### ACCESSORIES ON REQUEST

Zinc-plated steel nut (see Nuts NT. on page 1223).



ELESA Original design

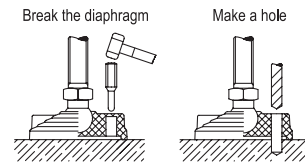
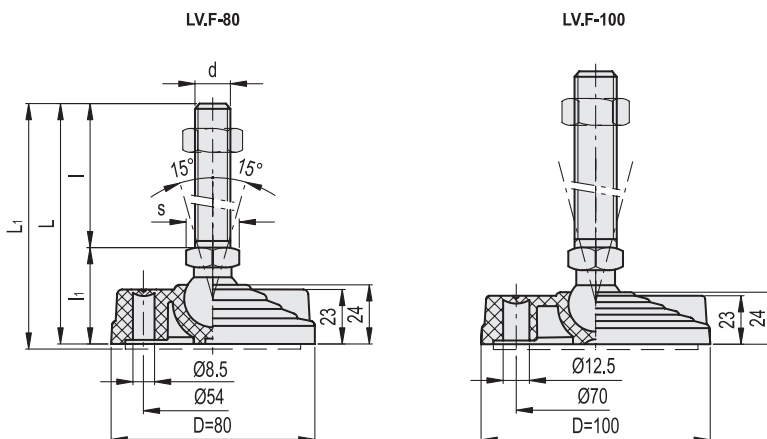


Fig.1



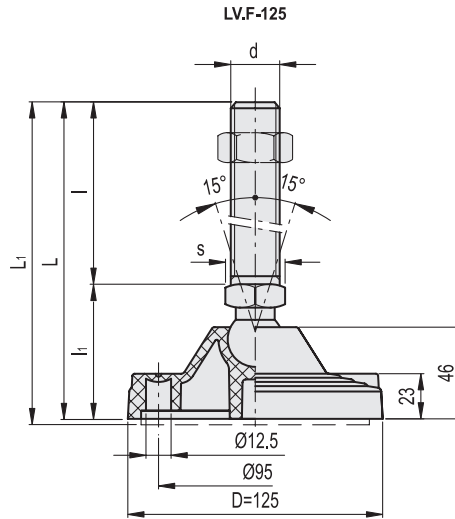
LV.F		LV.F-AS												Max. limit static load* [N]		⚖️ ⚖️ #	
Code	Description	Code	Description	D	d	L	L1#	I	li	s	Articulation Ø						
311121	LV.F-80-14-M8x43	314121	LV.F-80-14-AS-M8x43	80	M8	76	79	43	33	14	14		16000	85	111		
311125	LV.F-80-14-M8x68	314125	LV.F-80-14-AS-M8x68	80	M8	101	104	68	33	14	14		16000	97	123		
311221	LV.F-80-14-M10x43	314221	LV.F-80-14-AS-M10x43	80	M10	76	79	43	33	14	14		16000	94	120		
311225	LV.F-80-14-M10x68	314225	LV.F-80-14-AS-M10x68	80	M10	101	104	68	33	14	14		16000	106	132		
311231	LV.F-80-14-M10x98	314231	LV.F-80-14-AS-M10x98	80	M10	131	134	98	33	14	14		16000	120	146		
311321	LV.F-80-14-M12x43	314321	LV.F-80-14-AS-M12x43	80	M12	76	79	43	33	14	14		16000	104	130		
311325	LV.F-80-14-M12x68	314325	LV.F-80-14-AS-M12x68	80	M12	101	104	68	33	14	14		16000	121	147		
311331	LV.F-80-14-M12x98	314331	LV.F-80-14-AS-M12x98	80	M12	131	134	98	33	14	14		16000	142	168		
311421	LV.F-80-14-M14x68	314421	LV.F-80-14-AS-M14x68	80	M14	101	104	68	33	14	14		16000	143	169		
311431	LV.F-80-14-M14x98	314431	LV.F-80-14-AS-M14x98	80	M14	131	134	98	33	14	14		16000	164	190		
311441	LV.F-80-14-M14x148	314441	LV.F-80-14-AS-M14x148	80	M14	181	184	148	33	14	14		16000	247	273		
311521	LV.F-80-14-M16x68	314521	LV.F-80-14-AS-M16x68	80	M16	101	104	68	33	16	14		16000	165	191		
311525	LV.F-80-14-M16x108	314525	LV.F-80-14-AS-M16x108	80	M16	141	144	108	33	16	14		16000	217	243		
311541	LV.F-80-14-M16x148	314541	LV.F-80-14-AS-M16x148	80	M16	181	184	148	33	16	14		16000	269	295		
311561	LV.F-80-14-M16x168	314561	LV.F-80-14-AS-M16x168	80	M16	201	204	168	33	16	14		16000	295	321		
311621	LV.F-80-24-M16x58	314621	LV.F-80-24-AS-M16x58	80	M16	101	104	58	43	24	24		18000	227	253		
311625	LV.F-80-24-M16x98	314625	LV.F-80-24-AS-M16x98	80	M16	141	144	98	43	24	24		18000	278	304		
311641	LV.F-80-24-M16x138	314641	LV.F-80-24-AS-M16x138	80	M16	181	184	138	43	24	24		18000	328	354		
311661	LV.F-80-24-M16x158	314661	LV.F-80-24-AS-M16x158	80	M16	201	204	158	43	24	24		18000	355	381		
311725	LV.F-80-24-M20x98	314725	LV.F-80-24-AS-M20x98	80	M20	141	144	98	43	24	24		18000	348	374		
311741	LV.F-80-24-M20x138	314741	LV.F-80-24-AS-M20x138	80	M20	181	184	138	43	24	24		18000	427	453		
311761	LV.F-80-24-M20x158	314761	LV.F-80-24-AS-M20x158	80	M20	201	204	158	43	24	24		18000	466	492		
311781	LV.F-80-24-M20x198	314781	LV.F-80-24-AS-M20x198	80	M20	241	244	198	43	24	24		18000	549	575		
311825	LV.F-80-24-M24x98	314825	LV.F-80-24-AS-M24x98	80	M24	141	144	98	43	24	24		18000	446	472		
311861	LV.F-80-24-M24x158	314861	LV.F-80-24-AS-M24x158	80	M24	201	204	158	43	24	24		18000	618	644		
311881	LV.F-80-24-M24x198	314881	LV.F-80-24-AS-M24x198	80	M24	241	244	198	43	24	24		18000	736	762		
312451	LV.F-100-14-M8x43	315451	LV.F-100-14-AS-M8x43	100	M8	76	79	43	33	14	14		18000	93	148		
312453	LV.F-100-14-M8x68	315453	LV.F-100-14-AS-M8x68	100	M8	101	104	68	33	14	14		18000	105	160		
312461	LV.F-100-14-M10x43	315461	LV.F-100-14-AS-M10x43	100	M10	76	79	43	33	14	14		18000	102	157		
312463	LV.F-100-14-M10x68	315463	LV.F-100-14-AS-M10x68	100	M10	101	104	68	33	14	14		18000	114	169		
312465	LV.F-100-14-M10x98	315465	LV.F-100-14-AS-M10x98	100	M10	131	134	98	33	14	14		18000	128	183		
312471	LV.F-100-14-M12x43	315471	LV.F-100-14-AS-M12x43	100	M12	76	79	43	33	14	14		18000	112	167		
312473	LV.F-100-14-M12x68	315473	LV.F-100-14-AS-M12x68	100	M12	101	104	68	33	14	14		18000	129	184		
312475	LV.F-100-14-M12x98	315475	LV.F-100-14-AS-M12x98	100	M12	131	134	98	33	14	14		18000	150	205		
312477	LV.F-100-14-M14x68	315477	LV.F-100-14-AS-M14x68	100	M14	101	104	68	33	14	14		18000	151	206		
312479	LV.F-100-14-M14x98	315479	LV.F-100-14-AS-M14x98	100	M14	131	134	98	33	14	14		18000	172	227		
312480	LV.F-100-14-M14x148	315480	LV.F-100-14-AS-M14x148	100	M14	181	184	148	33	14	14		18000	255	310		
312481	LV.F-100-14-M16x68	315481	LV.F-100-14-AS-M16x68	100	M16	101	104	68	33	16	14		18000	173	228		
312483	LV.F-100-14-M16x108	315483	LV.F-100-14-AS-M16x108	100	M16	141	144	108	33	16	14		18000	225	280		
312485	LV.F-100-14-M16x148	315485	LV.F-100-14-AS-M16x148	100	M16	181	184	148	33	16	14		18000	277	332		
312487	LV.F-100-14-M16x168	315487	LV.F-100-14-AS-M16x168	100	M16	201	204	168	33	16	14		18000	303	358		
312521	LV.F-100-24-M16x58	315521	LV.F-100-24-AS-M16x58	100	M16	101	104	58	43	24	24		25000	257	311		
312525	LV.F-100-24-M16x98	315525	LV.F-100-24-AS-M16x98	100	M16	141	144	98	43	24	24		25000	308	362		
312541	LV.F-100-24-M16x138	315541	LV.F-100-24-AS-M16x138	100	M16	181	184	138	43	24	24		25000	358	412		
312561	LV.F-100-24-M16x158	315561	LV.F-100-24-AS-M16x158	100	M16	201	204	158	43	24	24		25000	385	439		
312625	LV.F-100-24-M20x98	315625	LV.F-100-24-AS-M20x98	100	M20	141	144	98	43	24	24		25000	378	432		
312641	LV.F-100-24-M20x138	315641	LV.F-100-24-AS-M20x138	100	M20	181	184	138	43	24	24		25000	457	511		
312661	LV.F-100-24-M20x158	315661	LV.F-100-24-AS-M20x158	100	M20	201	204	158	43	24	24		25000	496	550		
312681	LV.F-100-24-M20x198	315681	LV.F-100-24-AS-M20x198	100	M20	241	244	198	43	24	24		25000	579	633		
312725	LV.F-100-24-M24x98	315725	LV.F-100-24-AS-M24x98	100	M24	141	144	98	43	24	24		25000	476	530		
312761	LV.F-100-24-M24x158	315761	LV.F-100-24-AS-M24x158	100	M24	201	204	158	43	24	24		25000	648	702		
312781	LV.F-100-24-M24x198	315781	LV.F-100-24-AS-M24x198	100	M24	241	244	198	43	24	24		25000	766	820		

\* The max static load is the value above which the load applied to the element may cause some plastic material breakage, in particular conditions of use. Obviously, a factor that takes into consideration the importance and the safety level of the specific application must be applied to this value.

# Data with no-slip disk mounted.



Levelling elements 11



LV.F

LV.F-AS

Code	Description	Code	Description	D	d	L	L1#	l	li	s	Articulation Ø	Max. limit static load* [N]	⚖️	⚖️ #
313521	LV.F-125-24-M16x58	316221	LV.F-125-24-AS-M16x58	125	M16	125	128	58	67	24	24	28000	396	521
313525	LV.F-125-24-M16x98	316225	LV.F-125-24-AS-M16x98	125	M16	165	168	98	67	24	24	28000	447	572
313541	LV.F-125-24-M16x138	316241	LV.F-125-24-AS-M16x138	125	M16	205	208	138	67	24	24	28000	497	622
313561	LV.F-125-24-M16x158	316261	LV.F-125-24-AS-M16x158	125	M16	225	228	158	67	24	24	28000	524	649
313625	LV.F-125-24-M20x98	316325	LV.F-125-24-AS-M20x98	125	M20	165	168	98	67	24	24	28000	517	642
313641	LV.F-125-24-M20x138	316341	LV.F-125-24-AS-M20x138	125	M20	205	208	138	67	24	24	28000	596	721
313661	LV.F-125-24-M20x158	316361	LV.F-125-24-AS-M20x158	125	M20	225	228	158	67	24	24	28000	635	760
313681	LV.F-125-24-M20x198	316381	LV.F-125-24-AS-M20x198	125	M20	265	268	198	67	24	24	28000	718	843
313725	LV.F-125-24-M24x98	316425	LV.F-125-24-AS-M24x98	125	M24	165	168	98	67	24	24	28000	615	740
313761	LV.F-125-24-M24x158	316461	LV.F-125-24-AS-M24x158	125	M24	225	228	158	67	24	24	28000	787	912
313781	LV.F-125-24-M24x198	316481	LV.F-125-24-AS-M24x198	125	M24	265	268	198	67	24	24	28000	905	1030

\* The max static load is the value above which the load applied to the element may cause some plastic material breakage, in particular conditions of use. Obviously, a factor that takes into consideration the importance and the safety level of the specific application must be applied to this value.

# Data with no-slip disk mounted.